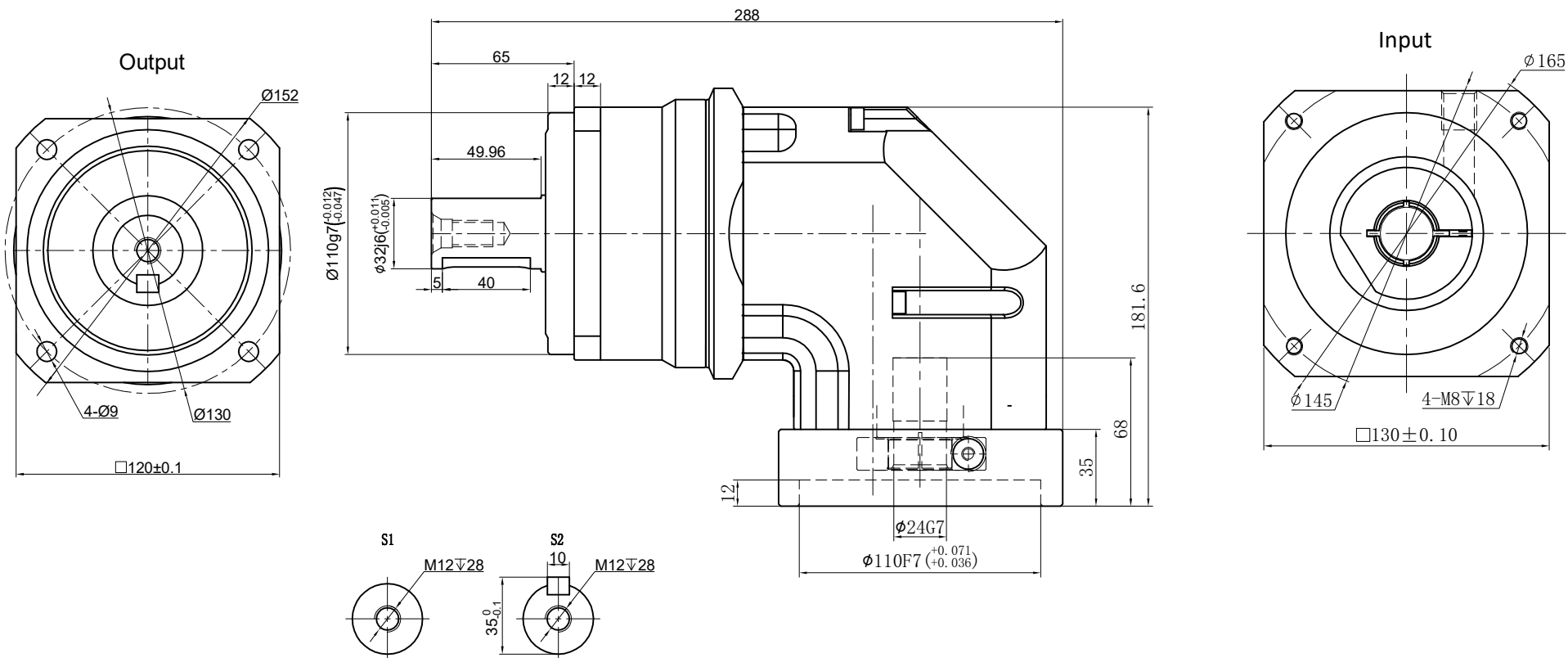


Customer name:



Transmission ratio	(A):1	Mass moments of inertia	(B)Kg.cm ²
Rated output torque	(C)Nm	Max.Output torque	(D)Nm
Rated input speed	3000rpm	Max input speed	5000rpm
Max.radial force	6600N	Max.axial force	3200N
Efficiency	≥ 95%	Operating temperature	-20°~+90°
Mounting position	Any	Lubrication method	Synthetic grease
Weight ±3%	13Kg	Service life	20000h
Standard backlash	≤ 8 arcmin	Protection class	IP65
Motor power		Noise level	70dB
Motor dimensions			

					Sign/Date		16	6.25	255	459
	20	6.25	225	405			14	6.25	290	522
	10	6.25	225	414			12	6.25	305	549
	7	6.84	290	540			8	6.84	255	468
	5	6.84	315	594			6	6.84	305	558
	4	6.84	245	522			3	6.84	190	374
Ratio	A	B	C	D		Ratio	A	B	C	D

NOTE				Precision Planetary Reducer				GCBR120	
Mark	No.	Sign	Date					GCBR120-L1	
								Shaft Type	Precision