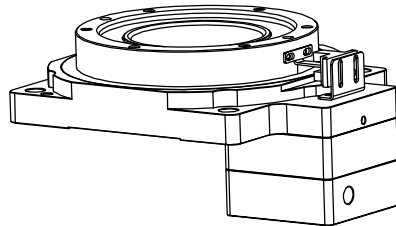
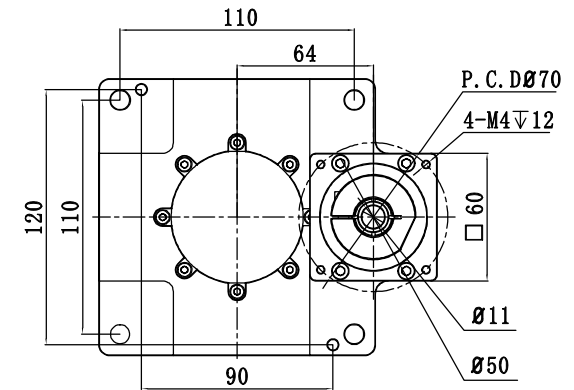
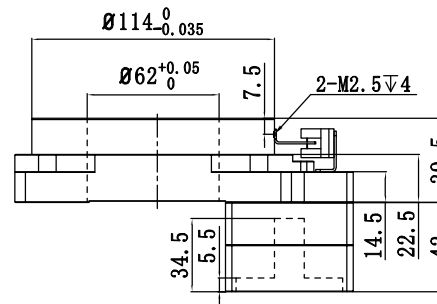
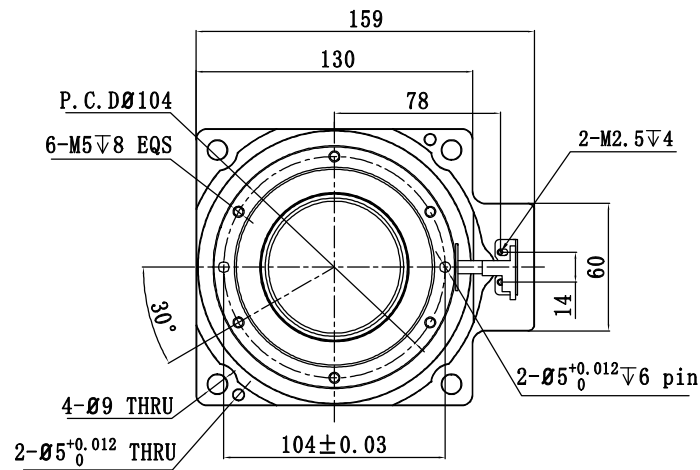


Customer name:



Allowable torque	N.m	32	Bearing type	Cross roller bearing	Sign/Date	Mark	No.	Sign	Date	Precision Planetary Reducer	GMN130		
Allowable disk output speed	rpm	200	Positioning accuracy	arcmin							1	GMN130-18	
Allowable axial load	N	2000	Repeat positioning accuracy	arcsec	±10	NOTE		DRAW	CHEC	APPR	RULE	Shaft Type	Precision
Allowable moment of inertia load	N.m	52	Concentricity of rotating platform	µm	±0.01							Ø14-Ø11	
Moment of inertia	kg.m <sup>2</sup>	110725x10 <sup>-7</sup>	Mounting parallelism	µm	±0.01								
Service life	H	20000	Output runout	µm	±0.02								
Weight	kg	2.5	Protection class		IP40								