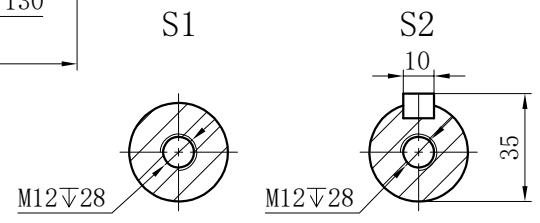
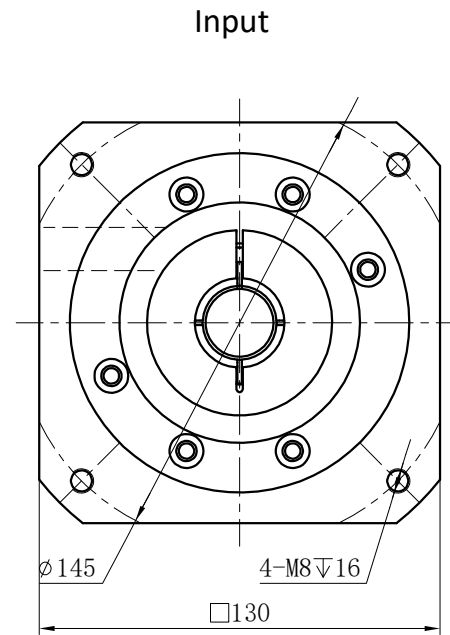
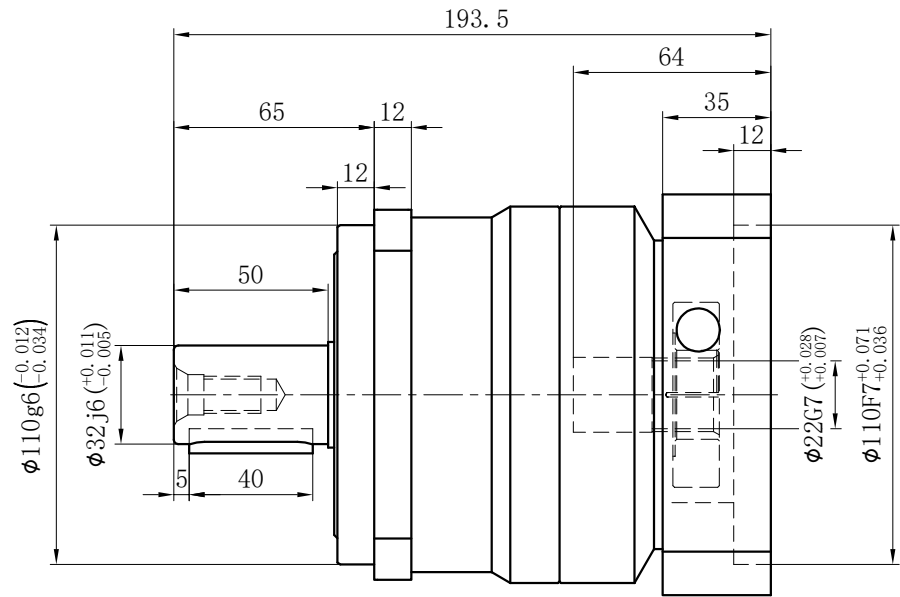
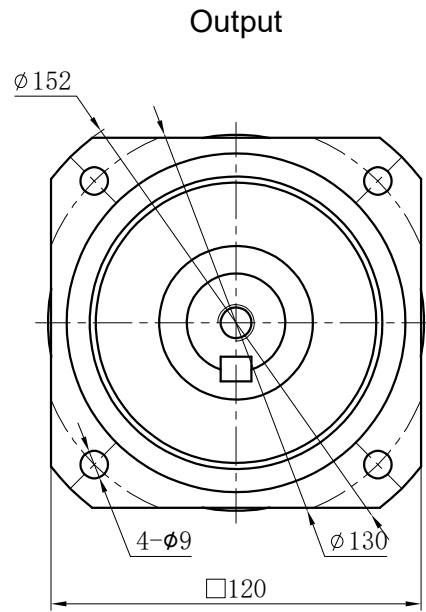



Customer name:



Transmission ratio	(A):1	Mass moments of inertia	(B)Kg.cm ²																														
Rated output torque	(C)Nm	Max.Output torque	(D)Nm																														
Rated input speed	3000rpm	Max input speed	6000rpm		10	2.57	220	396	Sign/Date																								
Max.radial force	6700N	Max.axial force	3350N		7	2.62	300	540			8	2.58	255	459																			
Efficiency	≥ 97%	Operating temperature	-20°~+90°		5	2.71	320	576			6	2.65	310	558																			
Mounting position	Any	Lubrication method	Synthetic grease	Ratio	4	2.74	280	504			3	3.25	200	360																			
Weight ±3%	--Kg	Service life	20000h	Ratio	A	B	C	D		Ratio	A	B	C	D																			
Standard backlash	≤ 5 arcmin	Protection class	IP65	NOTE				Precision Planetary Reducer				GCB120A																					
Motor power		Noise level	63dB	Ø24 to Ø22				<table border="1"> <tr> <td>Mark</td> <td>No.</td> <td>Sign</td> <td>Date</td> </tr> <tr> <td></td> <td>DRAW</td> <td></td> <td></td> </tr> <tr> <td></td> <td>CHEC</td> <td></td> <td></td> </tr> <tr> <td></td> <td>APPR</td> <td></td> <td></td> </tr> <tr> <td></td> <td>RULE</td> <td></td> <td></td> </tr> </table>				Mark	No.	Sign	Date		DRAW				CHEC				APPR				RULE			GCB120A-L1	
Mark	No.	Sign	Date																														
	DRAW																																
	CHEC																																
	APPR																																
	RULE																																
Motor dimensions												Shaft Type	Precision																				