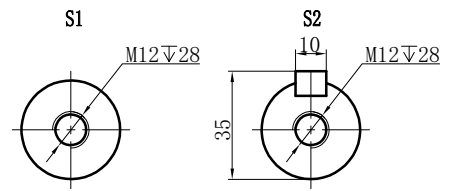
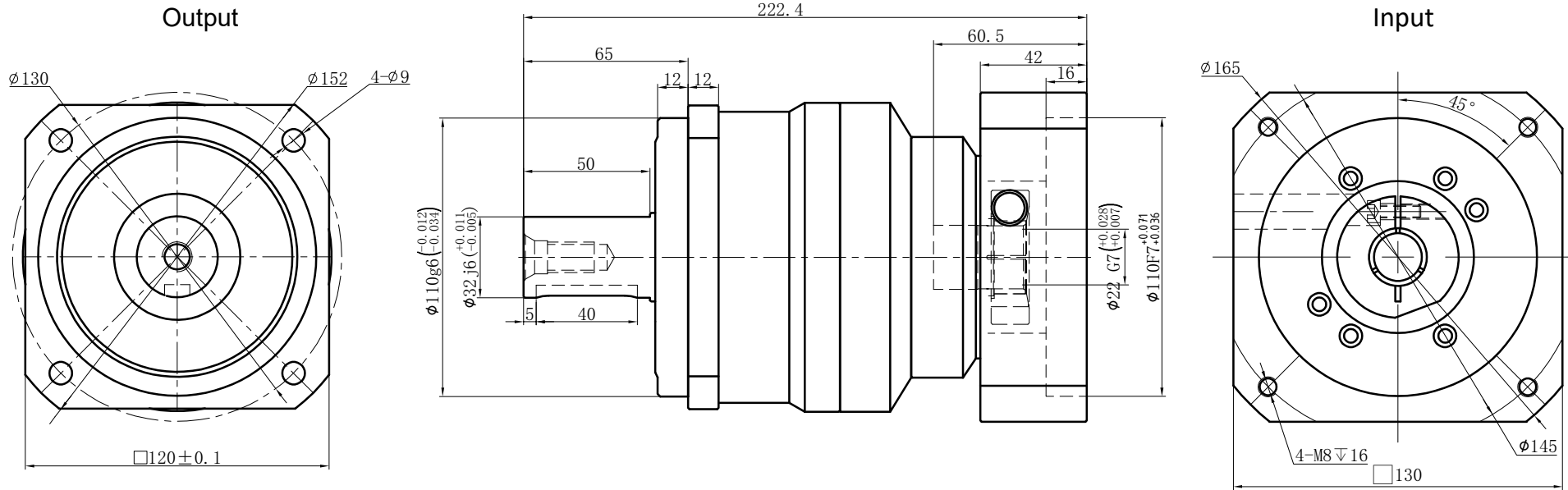


Customer name:



Transmission ratio	( A ):1	Mass moments of inertia	( B )Kg.cm <sup>2</sup>																				
Rated output torque	( C )Nm	Max.Output torque	( D )Nm	40	0.47	255	459	Sign/Date															
Rated input speed	3000rpm	Max input speed	6000rpm	35	0.47	300	540		100	0.44	220	396											
Max.radial force	6700N	Max.axial force	3350N	30	0.47	310	558		80	0.44	255	459											
Efficiency	≥ 94%	Operating temperature	-20°~+90°	25	0.47	320	576		70	0.44	300	540											
Mounting position	Any	Lubrication method	Synthetic grease	20	0.47	280	504		60	0.44	310	558											
Weight ±3%	9Kg	Service life	20000h	15	0.47	200	360	50	0.44	320	576												
Standard backlash	≤ 7 arcmin	Protection class	IP65	Ratio	A	B	C	D	Ratio	A	B	C	D										
Motor power		Noise level	63dB	NOTE				Precision Planetary Reducer				GCB120A											
Motor dimensions								Mark				No.				Sign				Date			
				DRAW												GCB120A-L2							
				CHEC												Shaft Type				Precision			
				APPR																			
				RULE																			