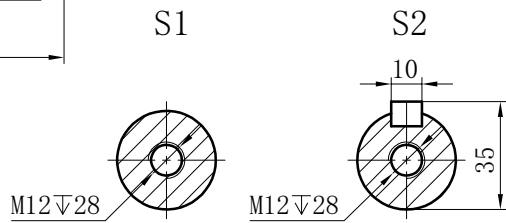
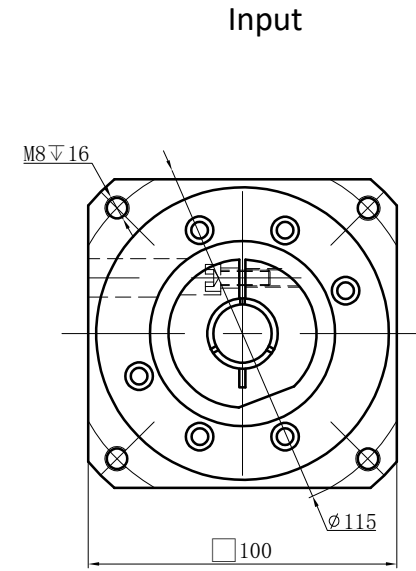
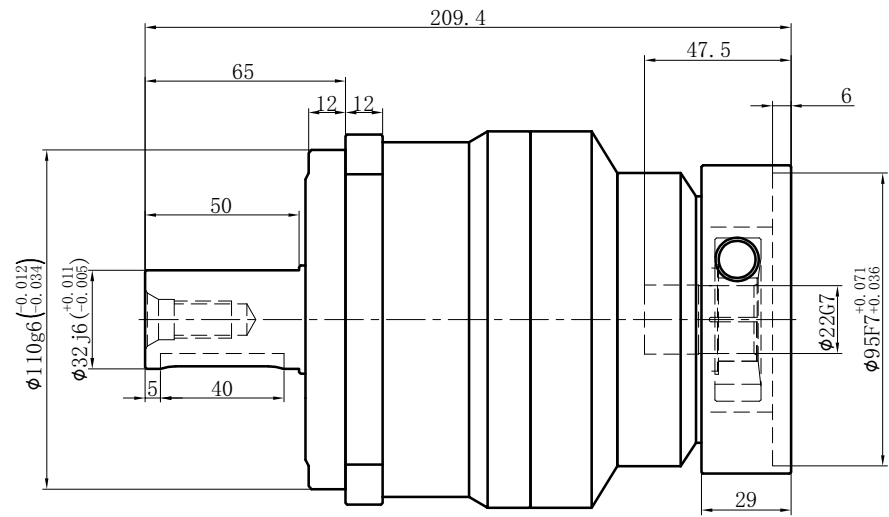
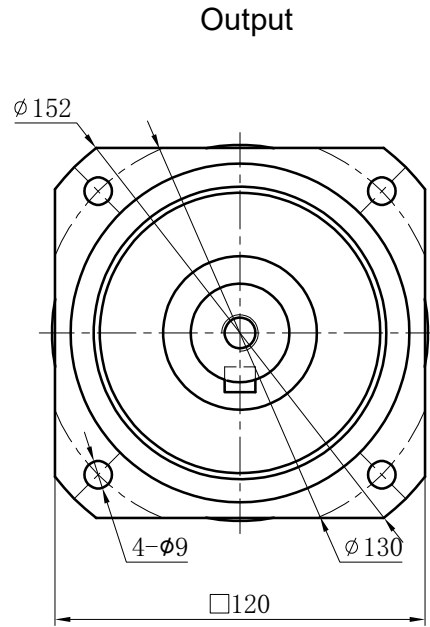


Customer name:



Transmission ratio	( A ):1	Mass moments of inertia	( B )Kg.cm <sup>2</sup>														
Rated output torque	( C )Nm	Max.Output torque	( D )Nm	40	0.47	255	459	Sign/Date									
Rated input speed	3000rpm	Max input speed	6000rpm	35	0.47	300	540		100	0.44	220	396					
Max.radial force	6700N	Max.axial force	3350N	30	0.47	310	558		80	0.44	255	459					
Efficiency	≥ 94%	Operating temperature	-20°~+90°	25	0.47	320	576		70	0.44	300	540					
Mounting position	Any	Lubrication method	Synthetic grease	20	0.47	280	504		60	0.44	310	558					
Weight ±3%	9Kg	Service life	20000h	15	0.47	200	360	50	0.44	320	576						
Standard backlash	≤ 7 arcmin	Protection class	IP65	Ratio	A	B	C	D	Ratio	A	B	C	D				
Motor power		Noise level	63dB	NOTE				Precision Planetary Reducer				GCB120A					
Motor dimensions												GCB120A-L2					
												Mark	No.	Sign	Date	Shaft Type	Precision
													DRAW				
													CHEC				
													APPR				
					RULE												