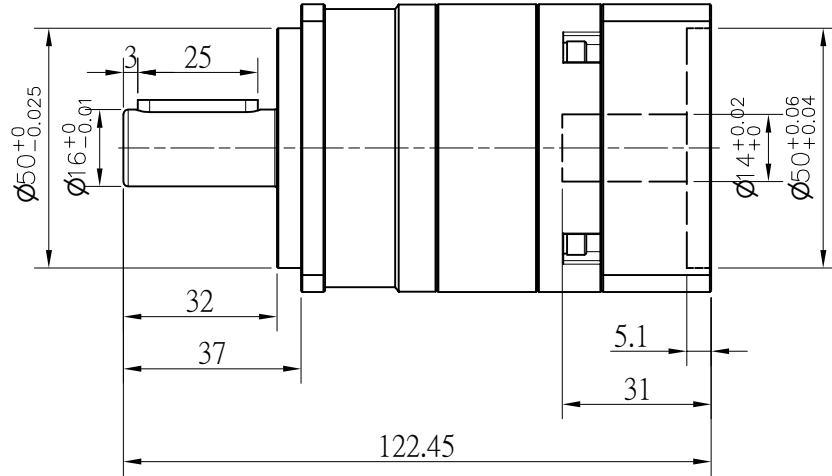
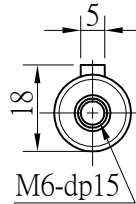
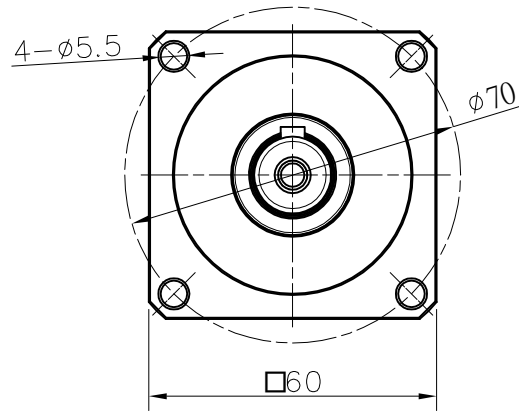


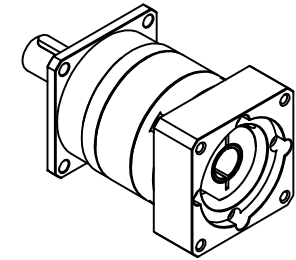
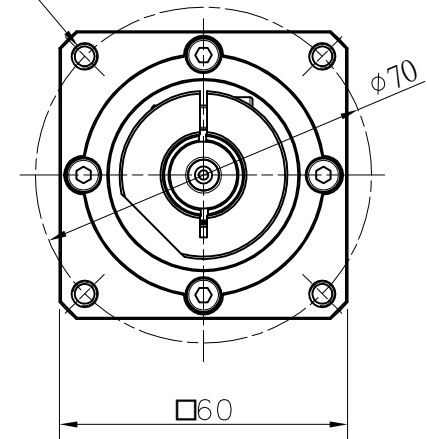
Customer name:

Output



Input

4-M5-dp12



Transmission ratio	(<u> A</u>):1	Mass moments of inertia	(/)Kg.cm ²
Rated output torque	(<u> C</u>)Nm	Max.Output torque	(<u> D</u>)Nm
Rated input speed	3000rpm	Max input speed	/
Max.radial force	/	Max.axial force	/
Efficiency	≥ 97%	Operating temperature	-20°~+90°
Mounting position	Any	Lubrication method	Synthetic grease
Weight ±3%	--Kg	Service life	20000h
Standard backlash	≤ 8 arcmin	Protection class	IP65
Motor power		Noise level	63dB
Motor dimensions			

							Sign/Date							
Ratio	10		33	99						Ratio	A	B	C	D
	A	B	C	D										
NOTE									Precision Planetary Reducer	GA062				
										GA062-L1-A5				
										Shaft Type	Precision			

Above specification are for standard reducer, No standard reducer only for reference