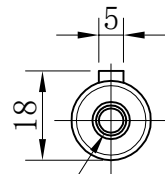
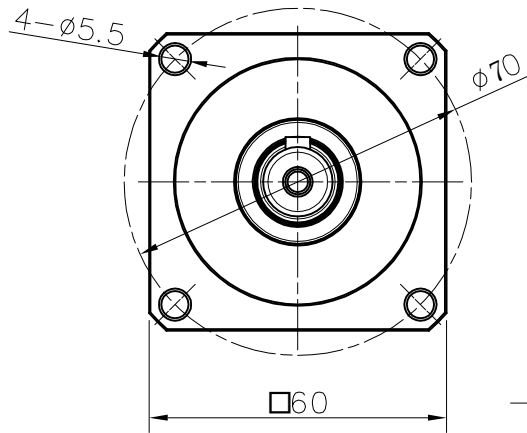


Customer Name:

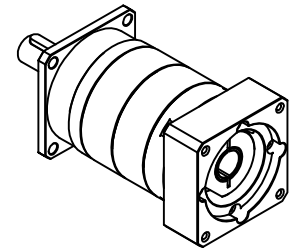
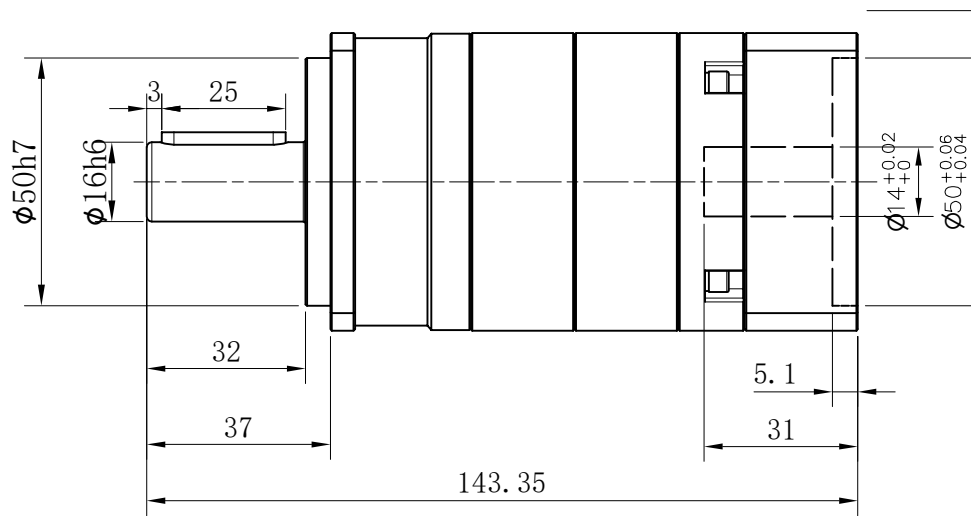
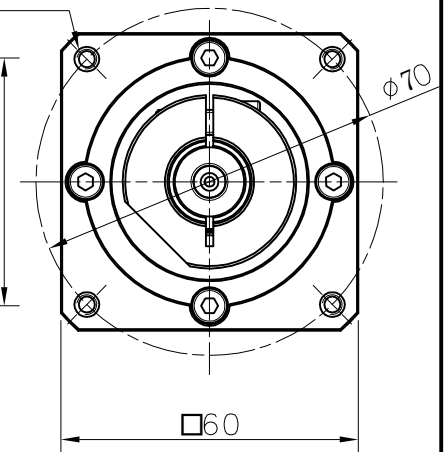
Output



M6x1 - 6H dp 15

Input

4-M4 - dp10



Transmission Ratio	(A):1	Mass Moments Of Inertia	(\)Kg.cm ²											
Rated Output Torque	(C)Nm	Max Output Torque	(D)Nm	25	49	147	Sign/Date							
Rated Input Speed	3000rpm	Max Input Speed	\	20	41	123		100	33	99				
Max Radial Force	\	Max Axial Force	\	16	41	123		70	41	123				
Efficiency	≥ 94%	Operating Temperature	-20~+90°	15	45	135		50	49	147				
Mounting Position	Any	Lubrication Method	Synthetic grease	12	45	135		35	41	123				
Weight ±3%	\	Service Life	20000h	9	45	135	30	33	99					
Standard Backlash	≤ 10 arcmin	Protection Class	IP65	Ratio	A	B	C	D	Ratio	A	B	C	D	
Motor Power	-- KW	Noise Level	63dB	Note					Precision Planetary Reducer	GA062				
Motor Dimensions										GA062-L2-A7				
					Mark	No.	Sign	Date		Shaft Type	Precision			

Above specifications are for standard reducer and may be subject to change without notice.