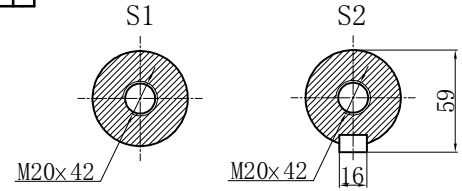
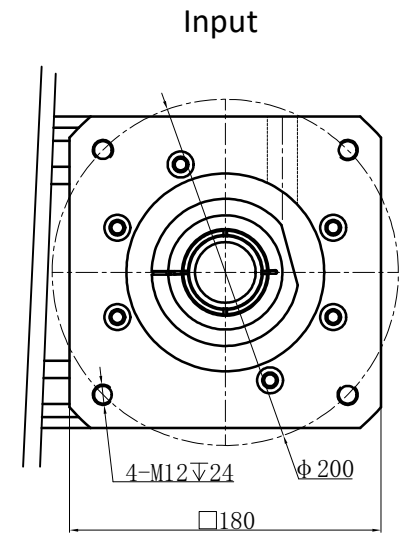
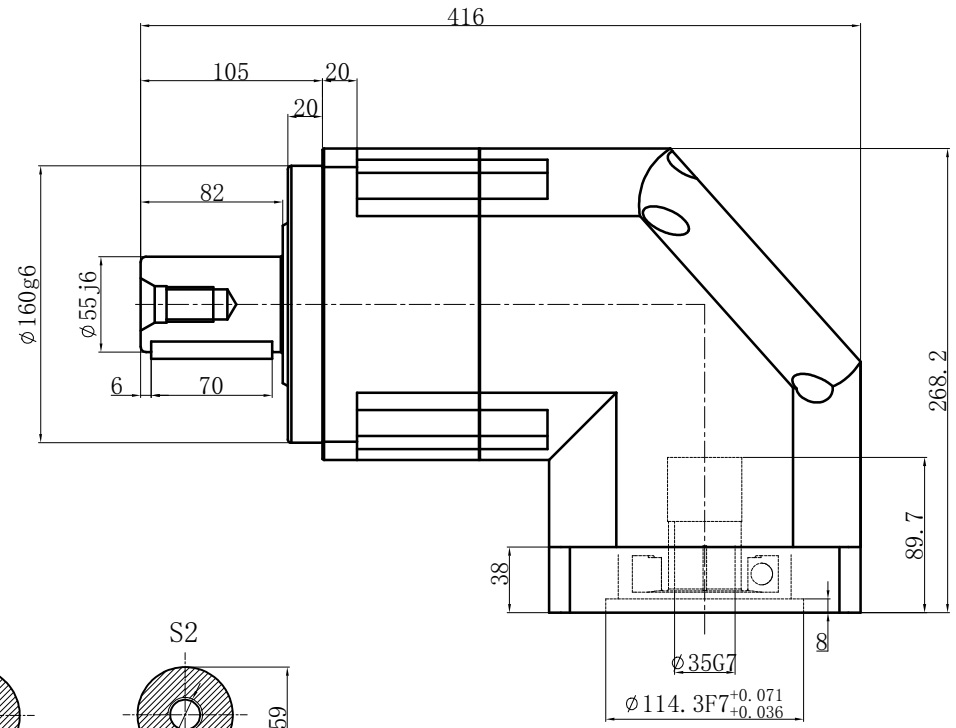
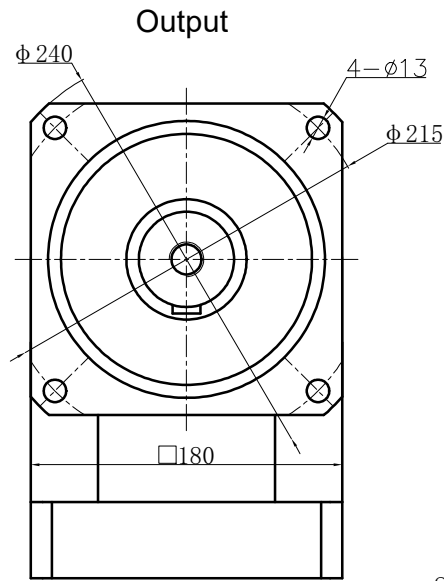


Customer name:



Transmission ratio	(A):1	Mass moments of inertia	(B)Kg.cm ²
Rated output torque	(C)Nm	Max.output torque	(D)Nm
Rated input speed	3000rpm	Max input speed	6000rpm
Max.Radial Force	14500N	Max.Axial Force	7250N
Efficiency	≥ 95%	Operating temperature	-20°~+90°
Mounting position	Any	Lubrication method	Synthetic grease
Weight ±3%	51Kg	Service life	20000h
Standard backlash	≤ 6 arcmin	Protection class	IP65
Motor power	-- kW	Noise level	72dB
Motor dimensions			

	3	68.9	588	1058
	4	68.9	1040	1872
	5	68.9	1200	2160
	6	68.9	1100	1980
	7	68.9	1100	1980
	8	68.9	1000	1800
Ratio	A	B	C	D

Sign/Date		10	68.9	900	1620
		14	65.6	1100	1980
		16	65.6	1000	1800
		20	65.6	900	1620
Ratio	A	B	C	D	

Note					Precision planetary reducer	GBR180
	Mark	No.	Sign	Date		
	DRAW					GBR180-L1
	CHEC					
	APPR					
	RULE					
					Shaft Type	Precision

Above specifications are for standard reducer and may be subject to change without notice.