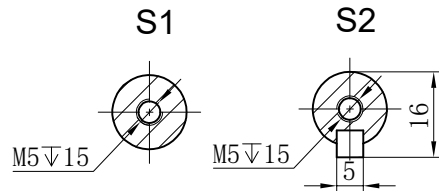
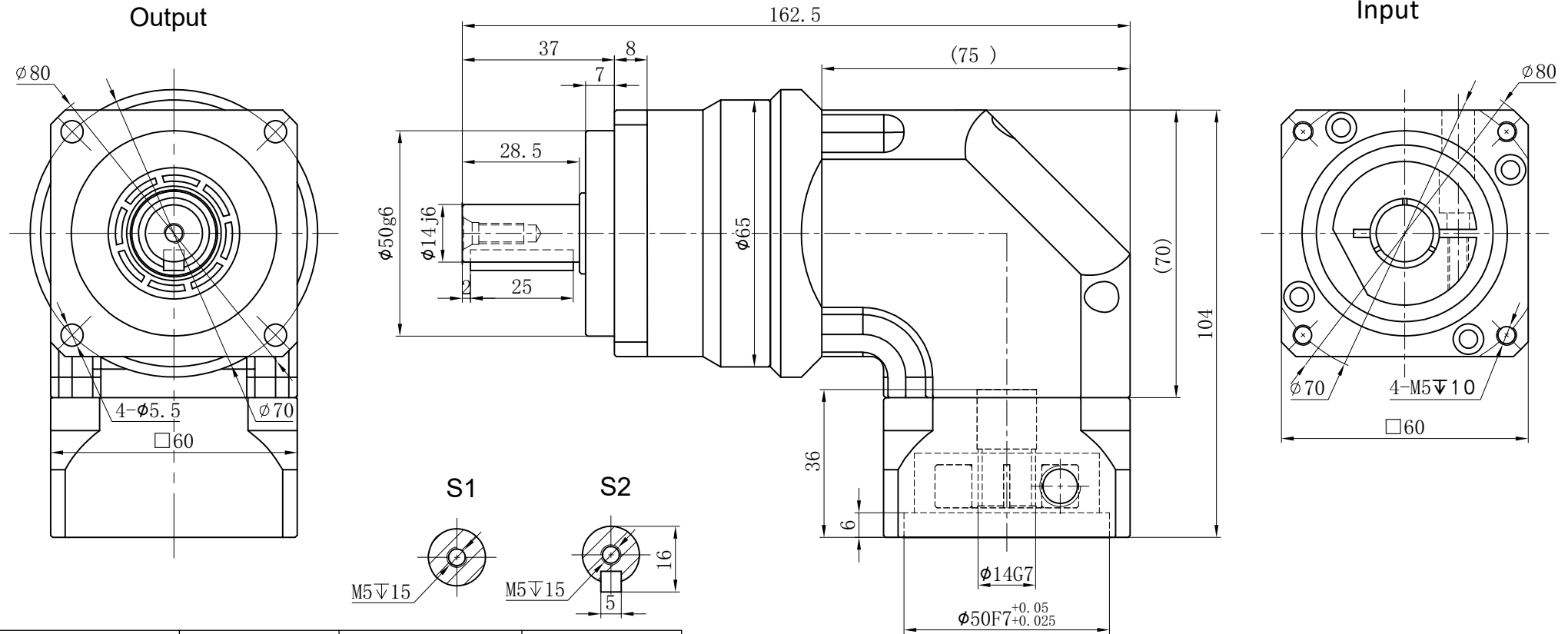


Customer Name:



Transmission Ratio	(<u>A</u>):1	Mass Moments Of Inertia	(<u>B</u>)Kg.cm ²
Rated Output Torque	(<u>C</u>)Nm	Max Output Torque	(<u>D</u>)Nm
Rated Input Speed	3000rpm	Max Input Speed	5000rpm
Max Radial Force	1450N	Max Axial Force	724N
Efficiency	≥ 95%	Operating Temperature	-20°~+90°
Mounting Position	Any	Lubrication Method	Synthetic grease
Weight ±3%	1.5Kg	Service Life	20000h
Standard Backlash	≤ 8 arcmin	Protection Class	IP65
Motor Power	-- KW	Noise Level	66dB
Motor Dimensions			

	3	0.35	35	63	Sign/Date		4	0.35	45	81
	5	0.35	55	99			6	0.35	50	90
	7	0.35	46	82.8			8	0.35	43	77.4
	10	0.35	40	72			12	0.07	50	90
	14	0.07	40	72			16	0.07	43	77.4
	20	0.07	40	72						
Ratio	A	B	C	D		Ratio	A	B	C	D

Note				Precision Planetary Reducer				GCBR060	
Mark	No.	Sign	Date					GCBR060-L1	
								Shaft Type	Precision

Above specifications are for standard reducer and may be subject to change without notice.