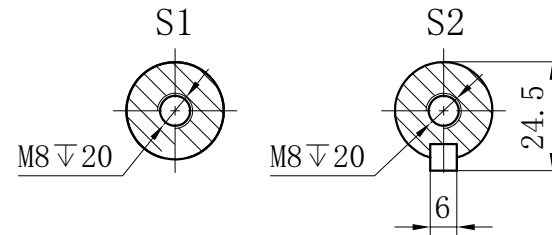
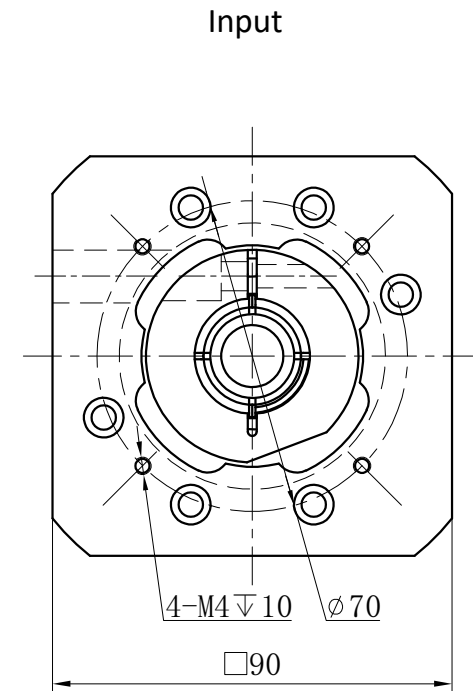
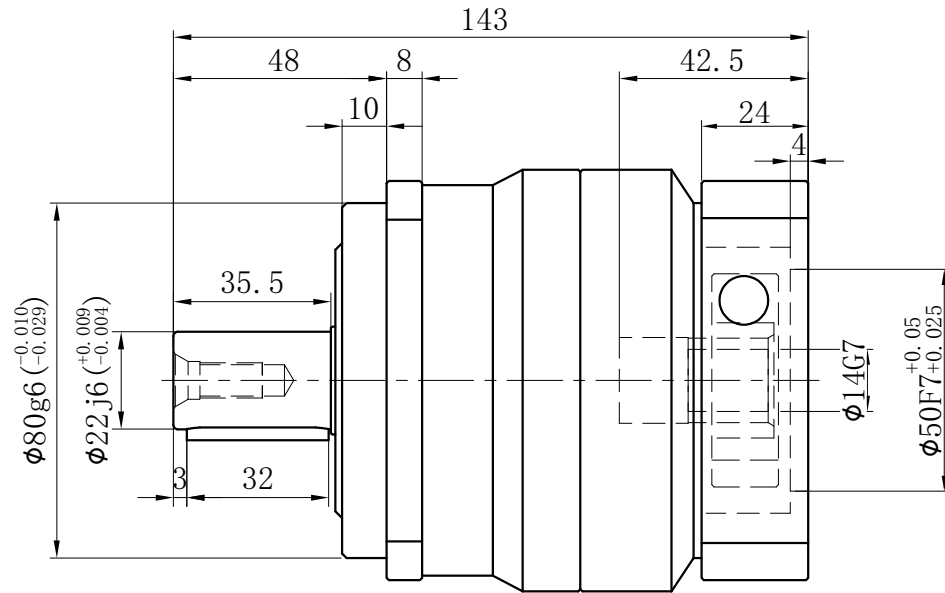
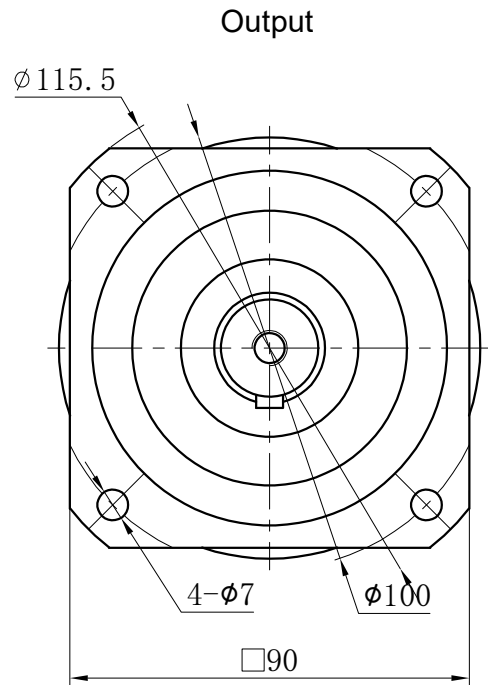


Customer name:



Transmission ratio	( A ):1	Mass moments of inertia	( B )Kg.cm <sup>2</sup>
Rated output torque	( C )Nm	Max.output torque	( D )Nm
Rated input speed	3000rpm	Max input speed	5000rpm
Max.radial force	3250N	Max.axial force	1625N
Efficiency	≥ 97%	Operating temperature	-20°~+90°
Mounting position	Any	Lubrication method	Synthetic grease
Weight ±3%	3.6Kg	Service life	20000h
Standard backlash	≤ 5 arcmin	Protection class	IP65
Motor power		Noise level	60dB
Motor dimensions			

Ratio	A	B	C	D	Sign/Date	Ratio	A	B	C	D
	10	0.44	100	180		8	0.44	120	215	
	7	0.45	135	240		6	0.45	140	250	
	5	0.47	150	270		3	0.61	100	180	
	4	0.48	110	195						

Note	Precision planetary reducer				GCB090A
	Mark	No.	Sign	Date	
DRAW					
CHEC					
APPR					
Bushing $\phi 19-\phi 14$	RULE				

Above specifications are for standard reducer and may be subject to change without notice.