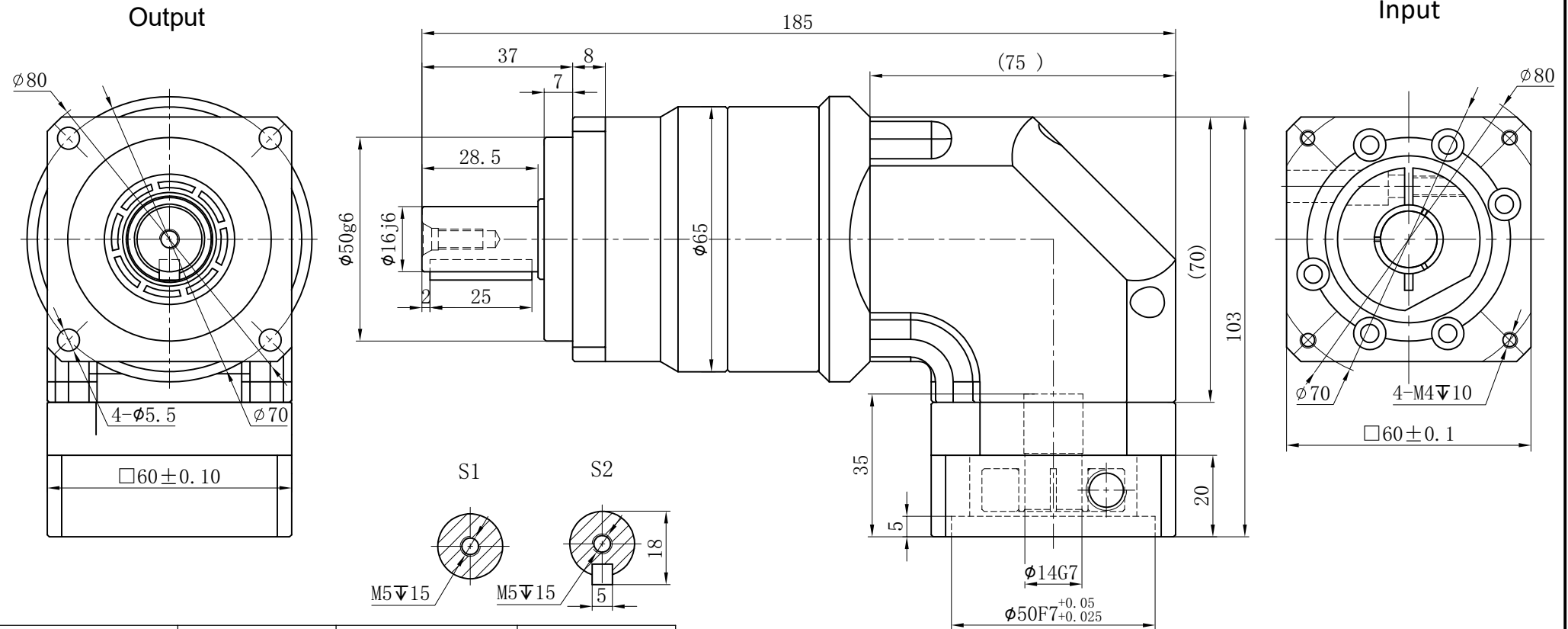


Customer Name:



Transmission Ratio	( A ):1	Mass Moments Of Inertia	( B )Kg.cm <sup>2</sup>	25	0.09	55	99	Sign/Date	70	0.09	46	82.8
Rated Output Torque	( C )Nm	Max Output Torque	( D )Nm	30	0.09	50	90		80	0.09	43	77.4
Rated Input Speed	3000rpm	Max Input Speed	5000rpm	35	0.09	46	82.8		100	0.09	40	72
Max Radial Force	1450N	Max Axial Force	724N	40	0.09	43	77.4		15	0.09	40	72
Efficiency	≥ 92%	Operating Temperature	-20°~+90°	50	0.09	55	99					
Mounting Position	Any	Lubrication Method	Synthetic grease	60	0.09	50	90	Ratio	A	B	C	D
Weight ±3%	2.1Kg	Service Life	20000h	Note				Precision Planetary Reducer				GCBR060
Standard Backlash	≤ 9 arcmin	Protection Class	IP66	Mark				No.				GCBR060-L2
Motor Power	-- KW	Noise Level	66dB	DRAW				Sign				Shaft Type
Motor Dimensions				APPR				Date				
				RULE								

Above specifications are for standard reducer and may be subject to change without notice.