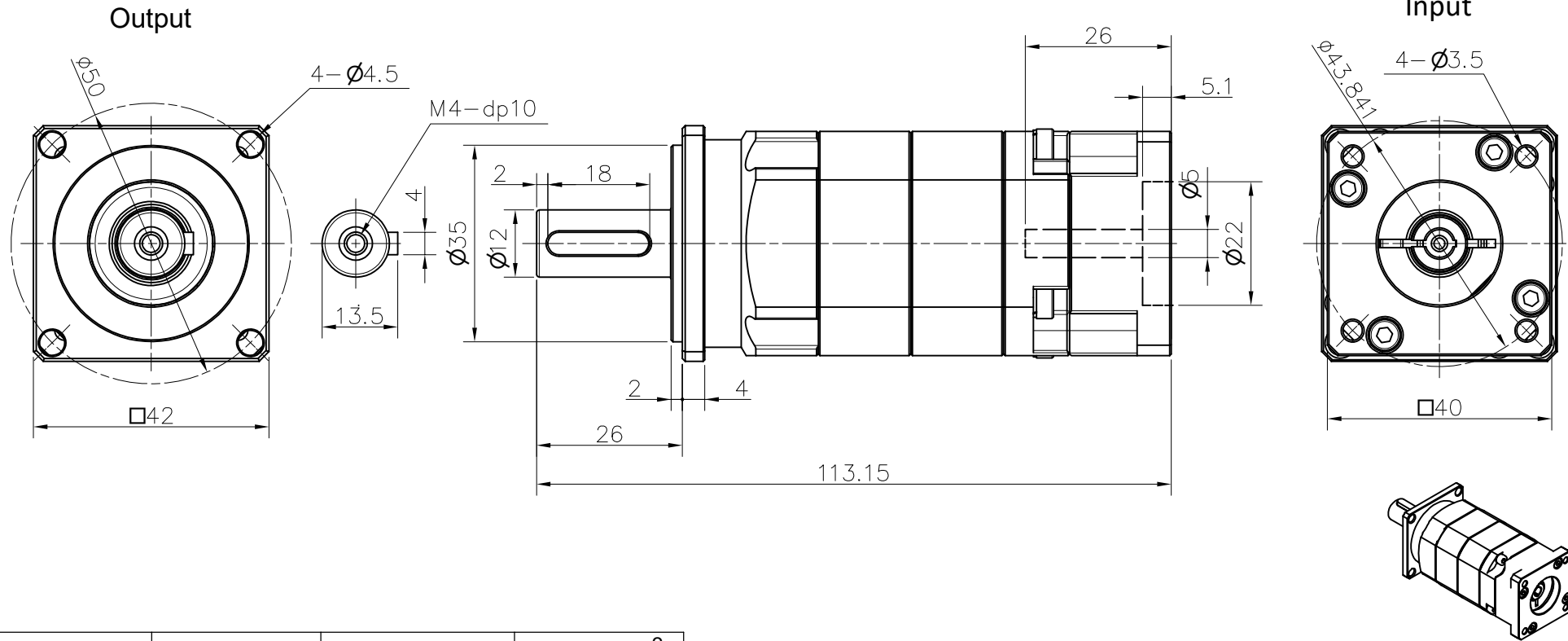


Customer Name:



Transmission Ratio	( A ):1	Mass Moments Of Inertia	( \ )Kg.cm <sup>2</sup>	25	20	60	Sign/Date							
Rated Output Torque	( C )Nm	Max Output Torque	( D )Nm	20	18	54								
Rated Input Speed	3000rpm	Max Input Speed	\	16	18	54			100	13	39			
Max Radial Force	\	Max Axial Force	\	15	19	57			70	17	51			
Efficiency	≥ 94%	Operating Temperature	-20°~+90°	12	19	57			50	20	60			
				9	19	57		35	17	51				
Mounting Position	Any	Lubrication Method	Synthetic grease	Ratio	A	B	C	D	Ratio	A	B	C	D	
Weight ±3%	\	Service Life	20000h	Note					Precision Planetary Reducer	GA042				
Standard Backlash	≤ 12 arcmin	Protection Class	IP65	Mark No. Sign Date DRAW CHEC APPR RULE						GA042-L2-R1				
Motor Power	-- KW	Noise Level	60dB								Shaft Type	Precision		
Motor Dimensions														

Above specifications are for standard reducer and may be subject to change without notice.