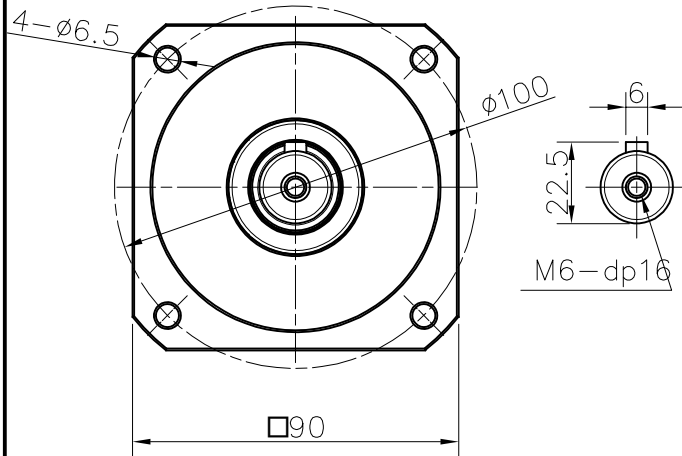
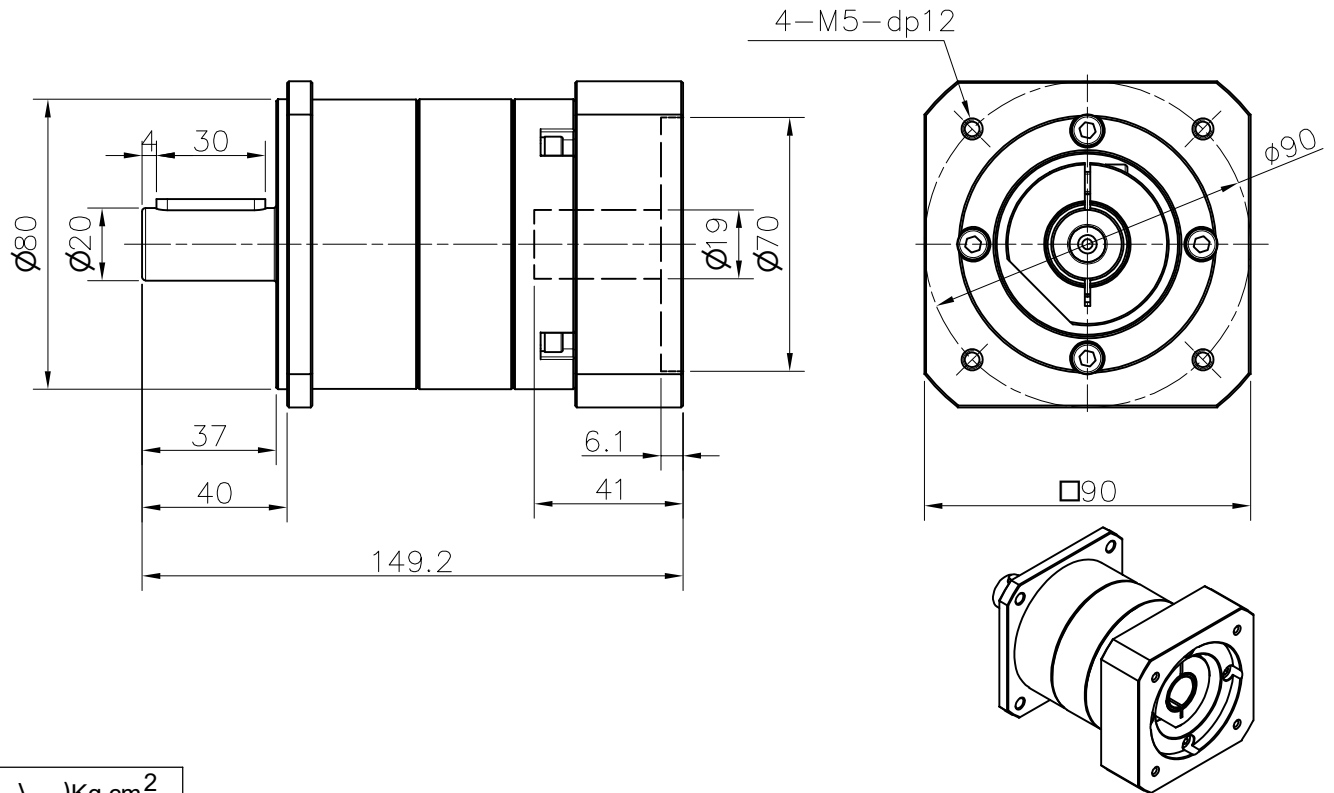


Customer Name:

Output



Input



Transmission Ratio	(A):1	Mass Moments Of Inertia	(\)Kg.cm ²
Rated Output Torque	(C)Nm	Max Output Torque	(D)Nm
Rated Input Speed	3000rpm	Max Input Speed	5000rpm
Max Radial Force	1100N	Max Axial Force	1320N
Efficiency	≥ 97%	Operating Temperature	-20°~+90°
Mounting Position	Any	Lubrication Method	Synthetic grease
Weight ±3%	\	Service Life	20000h
Standard Backlash	≤ 8 arcmin	Protection Class	IP65
Motor Power	-- KW	Noise Level	65dB
Motor Dimensions			

					Sign/Date					
	10	0.44	82	246						
	7	0.45	116	348						
	5	0.47	135	405						
	4	0.48	116	348						
	3	0.61	108	324						
Ratio	A	B	C	D		Ratio	A	B	C	D
Note						Precision Planetary Reducer	GA090			
	Mark	No.	Sign	Date			GA090-L1-A3			
							Shaft Type	Precision		

Above specifications are for standard reducer and may be subject to change without notice.