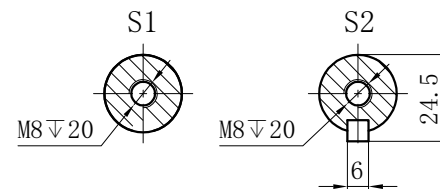
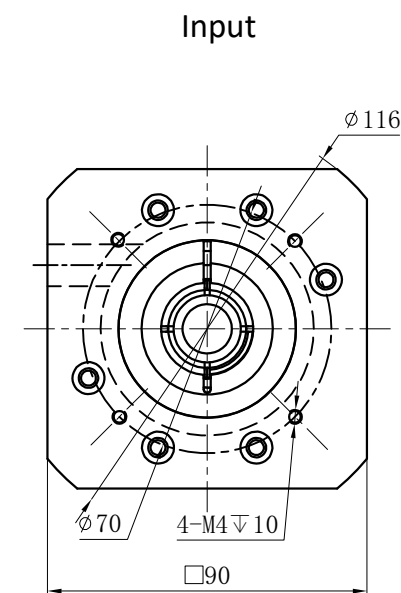
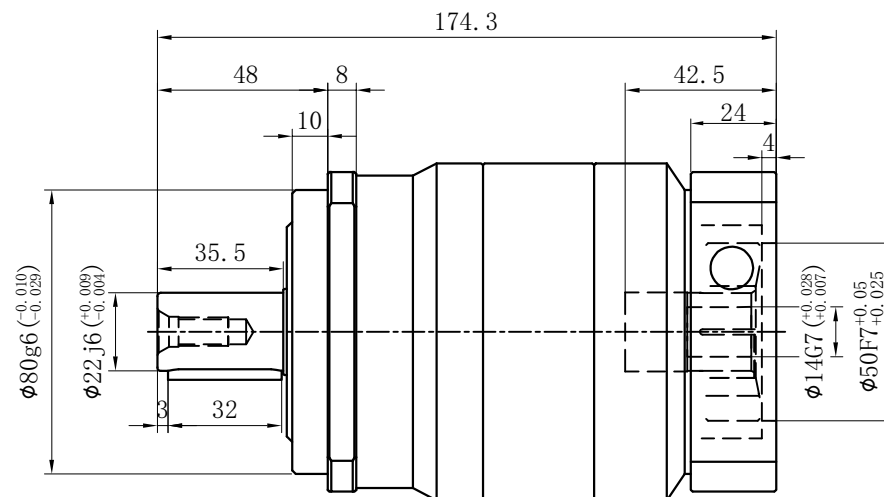
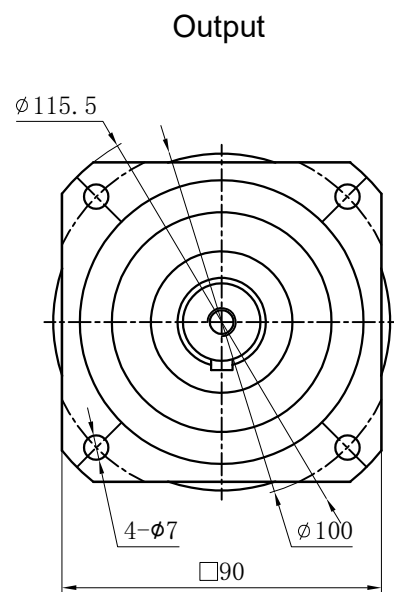


Customer name:



Transmission ratio	(A):1	Mass moments of inertia	(B)Kg.cm ²											
Rated output torque	(C)Nm	Max.output torque	(D)Nm	40	0.47	120	215	Sign/Date						
Rated input speed	3000rpm	Max input speed	5000rpm	35	0.47	135	240		100	0.44	100	180		
Max.radial force	3250N	Max.axial force	1625N	30	0.47	140	250		80	0.44	120	215		
Efficiency	≥ 94%	Operating temperature	-20°~+90°	25	0.47	150	270		70	0.44	135	240		
Mounting position	Any	Lubrication method	Synthetic grease	20	0.47	110	195		60	0.44	140	250		
Weight ±3%	5.1Kg	Service life	20000h	15	0.47	100	180	50	0.44	150	270			
Standard backlash	≤ -- arcmin	Protection class	IP65	Ratio	A	B	C	D	Ratio	A	B	C	D	
Motor power		Noise level	63dB	Note										
Motor dimensions				φ19-φ14 Bushing										
					Mark	No.	Sign	Date						
						DRAW								
						CHEC								
						APPR								
						RULE								

Above specifications are for standard reducer and may be subject to change without notice.