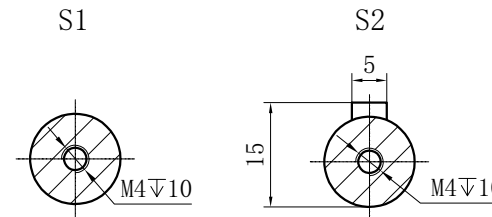
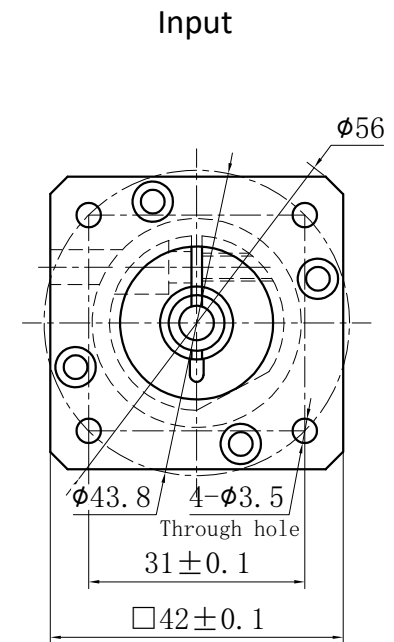
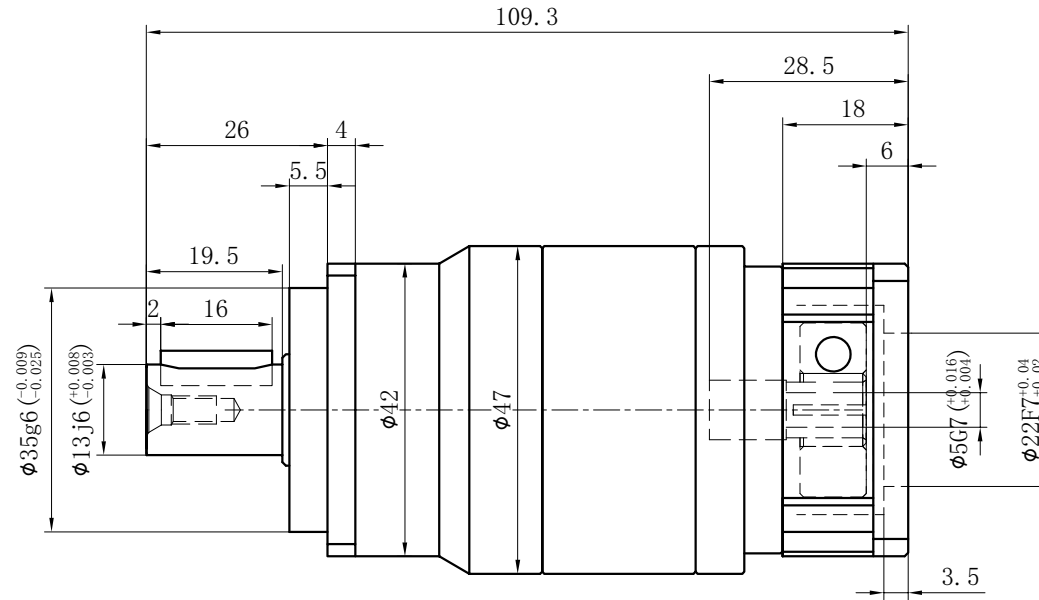
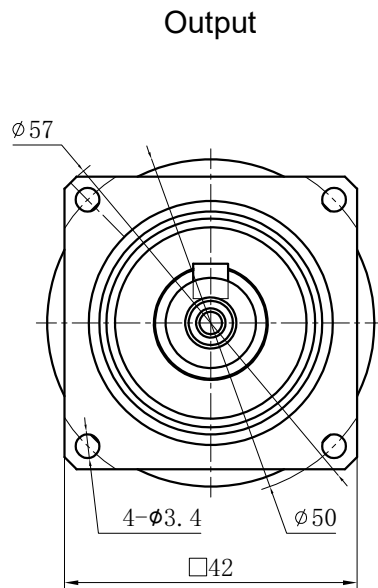


Customer name:



Transmission ratio	( A ):1	Mass moments of inertia	( B )Kg.cm <sup>2</sup>										
Rated output torque	( C )Nm	Max.Output torque	( D )Nm	40	0.03	16	28.8	Sign/Date	100	0.03	14	25.2	
Rated input speed	3000rpm	Max input speed	6000rpm	35	0.03	18	32.4		80	0.03	16	28.8	
Max.radial force	760N	Max.axial force	380N	30	0.03	18	32.4		70	0.03	18	32.4	
Efficiency	≥ 94%	Operating temperature	-20°~+90°	25	0.03	19	34.2		60	0.03	18	32.4	
Mounting position	Any	Lubrication method	Synthetic grease	20	0.03	17	30.6		50	0.03	19	34.2	
Weight ±3%	0.7Kg	Service life	20000h	Ratio	A	B	C	D	Ratio	A	B	C	D
Standard backlash	≤ 5 arcmin	Protection class	IP65	NOTE				Precision Planetary Reducer				GCB042	
Motor power		Noise level	56dB	ø8 to ø5				Mark	No.	Sign	Date	GCB042-L2	
Motor dimensions												Shaft Type	Precision