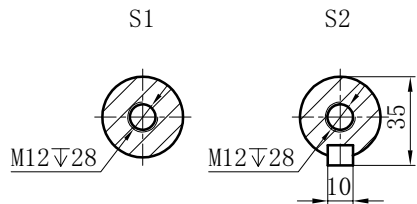
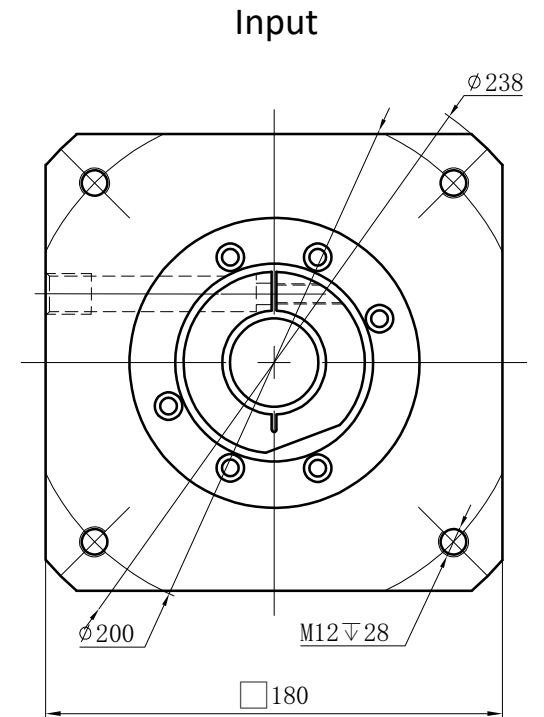
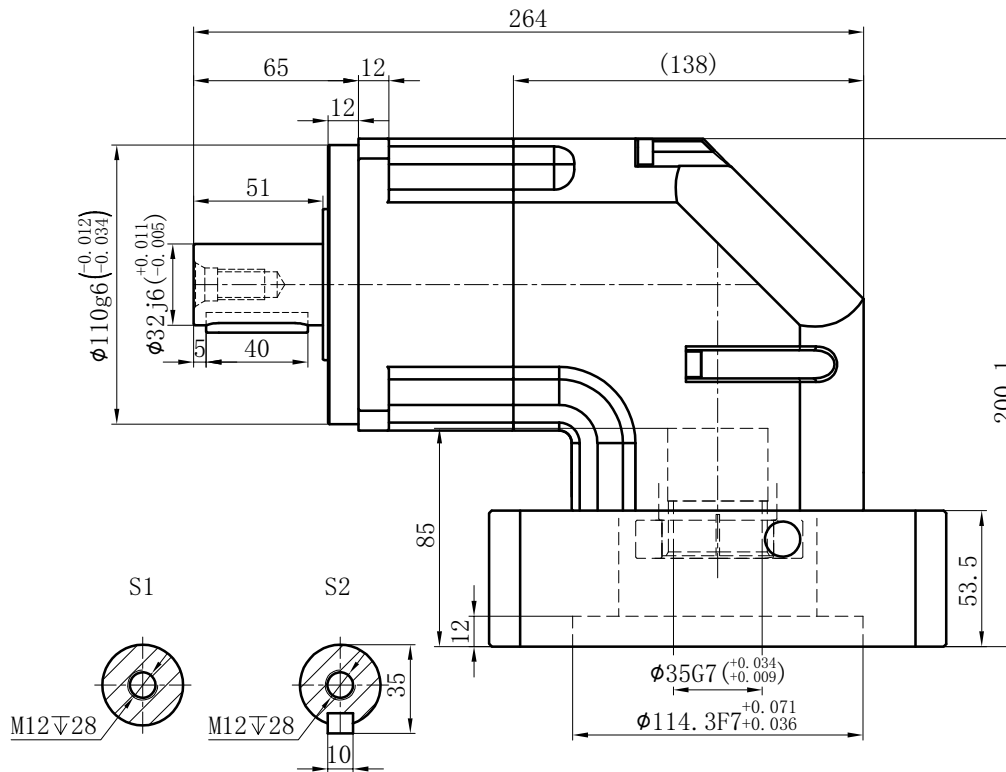
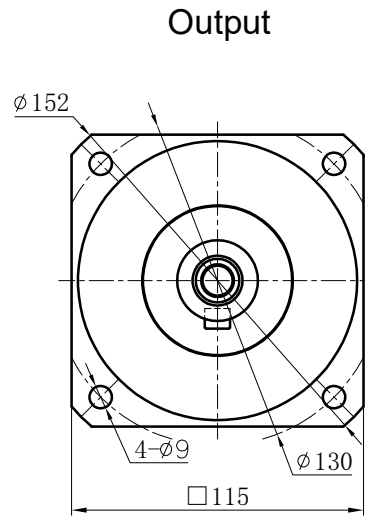


Customer name:



Transmission ratio	(A):1	Mass moments of inertia	(B)Kg.cm ²
Rated output torque	(C)Nm	Max.Output torque	(D)Nm
Rated input speed	4000rpm	Max input speed	8000rpm
Max.radial force	6700N	Max.axial force	3350N
Efficiency	≥ 95%	Operating temperature	-20°~+90°
Mounting position	Any	Lubrication method	Synthetic grease
Weight ±3%	13Kg	Service life	20000h
Standard backlash	≤ 6 arcmin	Protection class	IP65
Motor power		Noise level	68dB
Motor dimensions			

					Sign/Date		20	6.25	230	414			
				14		6.25	300	540		16	6.25	260	468
				10		6.25	230	414		12	6.25	310	558
				7		6.84	300	540		8	6.84	260	468
				5		6.84	325	585		6	6.84	310	558
				4		6.84	260	468		3	6.84	195	351
Ratio	A	B	C	D		Ratio	A	B	C	D			

NOTE				Precision Planetary Reducer				GBR115			
				Mark				GBR115-L1			
				No.							
				Sign							
				Date							
				DRAW CHEC APPR RULE							
								Shaft Type		Precision	