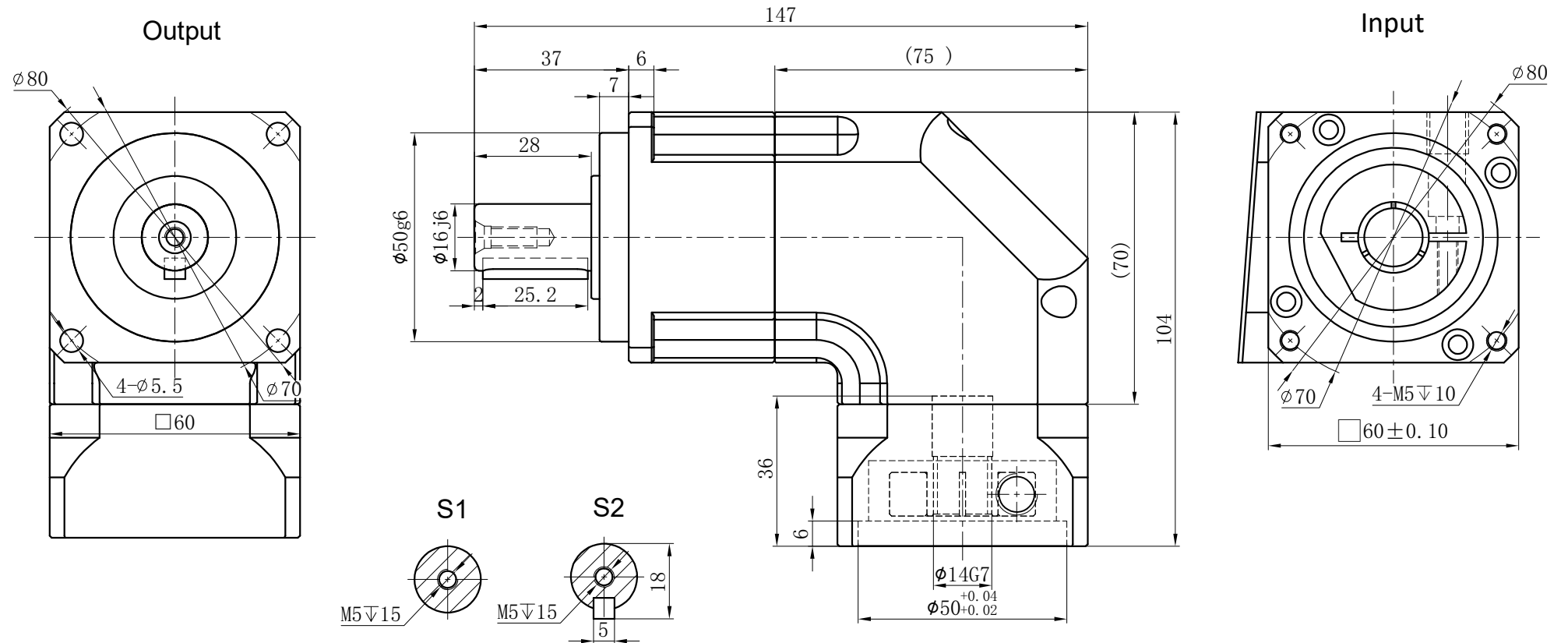


Customer Name:



Transmission Ratio	( A ):1	Mass Moments Of Inertia	( B )Kg.cm <sup>2</sup>	<table border="1"> <tr><td></td><td>3</td><td>0.35</td><td>36</td><td>64.8</td></tr> <tr><td></td><td>5</td><td>0.35</td><td>60</td><td>108</td></tr> <tr><td></td><td>7</td><td>0.35</td><td>50</td><td>90</td></tr> <tr><td></td><td>10</td><td>0.35</td><td>40</td><td>72</td></tr> <tr><td></td><td>14</td><td>0.07</td><td>42</td><td>75.6</td></tr> <tr><td></td><td>20</td><td>0.07</td><td>40</td><td>72</td></tr> </table>		3	0.35	36	64.8		5	0.35	60	108		7	0.35	50	90		10	0.35	40	72		14	0.07	42	75.6		20	0.07	40	72	<table border="1"> <tr><td>Sign/Date</td><td></td><td>4</td><td>0.35</td><td>48</td><td>86.4</td></tr> <tr><td></td><td></td><td>6</td><td>0.35</td><td>55</td><td>99</td></tr> <tr><td></td><td></td><td>8</td><td>0.35</td><td>45</td><td>81</td></tr> <tr><td></td><td></td><td>12</td><td>0.07</td><td>55</td><td>99</td></tr> <tr><td></td><td></td><td>16</td><td>0.07</td><td>45</td><td>81</td></tr> </table>	Sign/Date		4	0.35	48	86.4			6	0.35	55	99			8	0.35	45	81			12	0.07	55	99			16	0.07	45	81
	3	0.35	36		64.8																																																												
	5	0.35	60		108																																																												
	7	0.35	50		90																																																												
	10	0.35	40		72																																																												
	14	0.07	42		75.6																																																												
	20	0.07	40		72																																																												
Sign/Date		4	0.35	48	86.4																																																												
		6	0.35	55	99																																																												
		8	0.35	45	81																																																												
		12	0.07	55	99																																																												
		16	0.07	45	81																																																												
Rated Output Torque	( C )Nm	Max Output Torque	( D )Nm	Ratio	A	B	C	D	Ratio	A	B	C	D																																																				
Rated Input Speed	5000rpm	Max Input Speed	10000rpm	Note					Precision Planetary Reducer	GBR060																																																							
Max Radial Force	1530N	Max Axial Force	765N	<table border="1"> <tr><td>Mark</td><td>No.</td><td>Sign</td><td>Date</td></tr> <tr><td></td><td></td><td></td><td></td></tr> <tr><td></td><td></td><td></td><td></td></tr> <tr><td></td><td></td><td></td><td></td></tr> </table>	Mark	No.	Sign	Date																			GBR060-L1																																						
Mark	No.	Sign	Date																																																														
Efficiency	≥ 95%	Operating Temperature	-20°~+90°	Shaft Type		Precision																																																											
Mounting Position	Any	Lubrication Method	Synthetic grease																																																														
Weight ±3%	1.5Kg	Service Life	20000h																																																														
Standard Backlash	--arcmin	Protection Class	IP65																																																														
Motor Power	-- kW	Noise Level	63dB																																																														
Motor Dimensions																																																																	

Above specifications are for standard reducer and may be subject to change without notice.